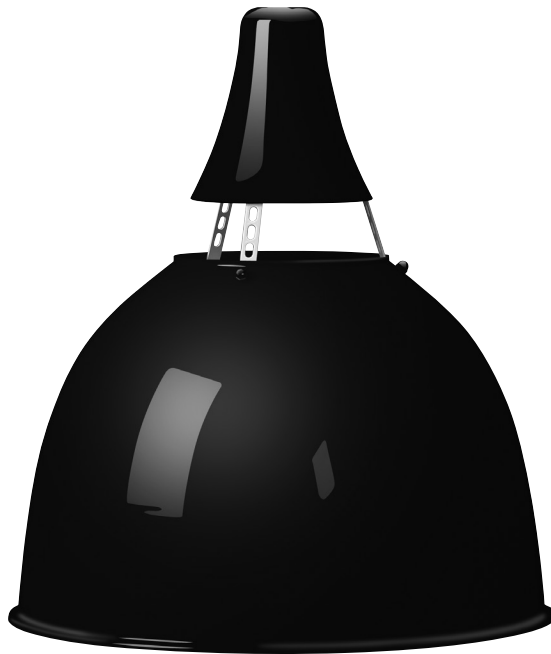


Xpressives Series

Large Uplight Deep Bowl

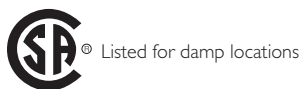
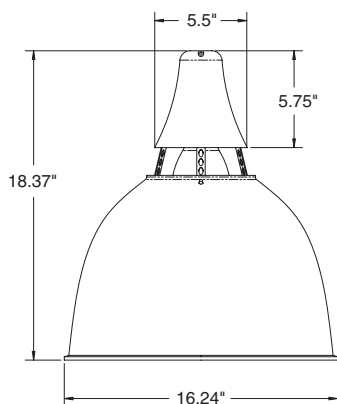
(HID, Incandescent and Compact Fluorescent)



- Ideal for restaurants, taverns or nightclubs, food courts, atriums or plazas, malls, retail outlets, stores, athletic clubs and facilities, theatres (Indoor use only).
- Spun aluminum shade standard.
- Precision die-cast aluminum electrical cap attaches to shade via keyhole slots. Cap locks into place using set screw, and two-piece shade/cap assembly attaches to cord or pipe.
- Corrosion-resistant Duraplex II polyester powder-coated finish with optional designer finishes available.
- Remote or surface ballast mounting with a porcelain 4KV pulse rated socket. Most fixtures furnished with 96" leads with a maximum distance for electronic HID is 5' from ballast to lamp.
- Corrosion-resistant Duraplex II white polyester powder-coated reflector finish standard except for metallic textured finishes having the same both sides.
- Shade design provides uplighting capability.
- 1/2" or 3/4" NPS aluminum stem/goosenecks are schedule 40 with no exposed threads.
- Straight or coil white cord available in 18/3 SJTOW.
- Wall plate/ballast box made from die cast aluminum.
- CSA listed for damp locations.

- See page 2 for ordering information
- See arm specification sheet for arm styles
- See mounting specification sheet for mounting components

TECHNICAL INFORMATION



Xpressives Series Large Uplight Deep Bowl

ORDERING INFORMATION

Catalog Number: Example: X3USSA5070PGRGRQ1T

| Series | Style | Ballast | Mounting | Wattage | Source | Texture | Color | Texture | Color | Color Combo | Voltage | Options |
|--------------------------|---|---|--|--|---|---|--|---|--|---|---------|---------|
| X = Xpressives | 3U = Uplight Deep Bowl (Medium) | R = Remote S = Surface | W3A W3B W3C W3D W3E SWF SWG C31 C32 C33 C34 SC5 SC0¹ SC5 SC0¹ CC5 CW5 PF1 PF2 PF3 PF4 PF5 PG1 PG2 PG3 PG4 PG5 | 050 070 100 150 050 070 100 150 075 100 200 300 060 085 | P - Electronic Pulse Start Metal Halide ² M - Magnetic Pulse Start Metal Halide* *Remote only I - Incandescent (use with 6" plat only) H - Electronic Compact Fluorescent (not for use w/ any cord mounting units) (60w and 85w compact fluorescent requires remote ballast) | W - Wrinkle G - Green B - Black W - White P - Bronze F - Flat B - Black P - Bronze G - High Gloss G - Green B - Black W - White Y - Yellow U - Blue R - Red M - Metallic C - Copper S - Silver G - Galvanite T - Textured S - Silver T - Textured S - Silver | G - Green B - Black W - White P - Bronze F - Flat B - Black P - Bronze G - Green B - Black W - White Y - Yellow U - Blue R - Red M - Metallic C - Copper S - Silver G - Galvanite T - Textured S - Silver | Q - Combo SCPM T - Combo S-CPM U - Combo SC-PM V - Combo SCP-M W - Combo SP-CM X - Combo SPM-C Y - Combo SM-CP Z - Combo SMC-P Cord Q - Combo SCM T - Combo S-CM U - Combo SC-M Y - Combo SM-C | 1 - 120 8 - 120-277 | P - Photo Control T - Thru- Wiring D - T & P options combined | | |

(Note: "T"
only with the
ballast box
and not for
use with INC
fixtures)

Combo Key

S- Shade
C- Cap
P- Pipe
M- Mounting

¹ Not available with electronic HID

² Large sizes equipped with open-rated socket only when VT Globe is not specified.

MOUNTING DEFINITIONS

W3A= Wall 3/4" Stem Style GNW3A
W3B= Wall 3/4" Stem Style GNW3B
W3C= Wall 3/4" Stem Style GNW3C
W3D= Wall 3/4" Stem Style GNW3D
W3E= Wall 3/4" Stem Style GNW3E

SWF= 3/4" Stem Adapter w/ GNP3F
SWG= 3/4" Stem Adapter w/ GNP3G

C31= Ceiling 3/4" 1 ft Stem Style GNC31
C32= Ceiling 3/4" 2 ft Stem Style GNC32
C33= Ceiling 3/4" 3 ft Stem Style GNC33
C34= Ceiling 3/4" 4 ft Stem Style GNC34

SC5= Straight Cord 5 ft
SC0= Straight Cord 10 ft ¹
SA5= Straight Cord w/ aircraft 5 ft
SA0= Straight Cord w/ aircraft 10 ft ¹
CC5= Coil + Cord 5 ft
CW5= Cord Wet Location 5 ft

Xpressives Series Large Uplight Deep Bowl

ACCESSORIES

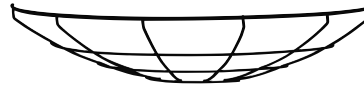
Trim Rings



TR3XX for use with large shades

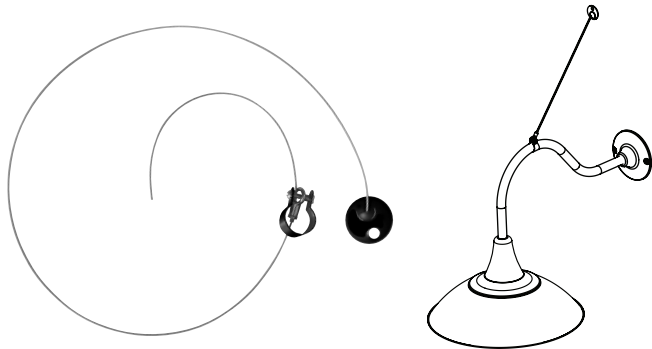
Note: Available in all color/texture combinations

Wire Guards



Medium Wire Guard

Note: Available in all color/texture combinations



ACS1XX 1/2" Aircraft Cable Support

ACS3XX 3/4" Aircraft Cable Support

Note: Brackets available in all color/texture combinations

Consult factory for availability

Note: Fusing can only be used in surface mounting

Xpressives Series Large Uplight Deep Bowl

PHOTOMETRIC DATA