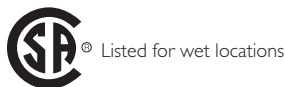
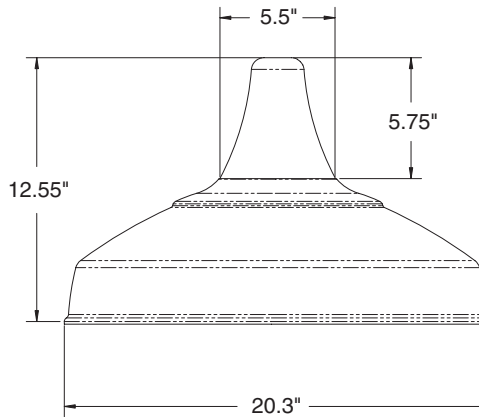
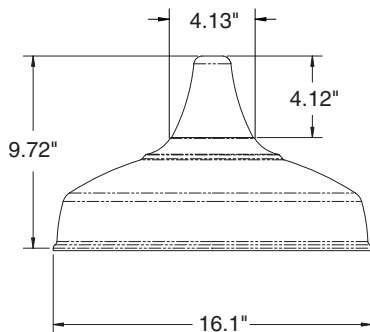


## Xpressives Series Medium and Large Deep Dome (HID, Incandescent and Compact Fluorescent)



- Ideal for restaurants, taverns or nightclubs, food courts, atriums or plazas, malls, retail outlets, stores, athletic clubs and facilities, theatres, arenas, stadiums and amusement parks.
  - Spun aluminum shade standard.
  - Precision die-cast aluminum electrical cap attaches to shade via keyhole slots. Cap locks into place using set screw, and two-piece shade/cap assembly attaches to cord or pipe.
  - Corrosion-resistant Duraplex II polyester powder-coated finish with optional designer finishes available.
  - Remote or surface ballast mounting with a porcelain 4KV pulse rated socket. Most fixtures furnished with 96" leads with a maximum distance for electronic HID is 5' from ballast to lamp.
  - Corrosion-resistant Duraplex II white polyester powder-coated reflector finish standard except for metallic textured finishes having the same both sides.
  - ½" or ¾" NPS aluminum stem/goosenecks are schedule 40 with no exposed threads.
  - Straight or coil white cord available in 18/3 SJTOW.
  - Wall plate/ballast box made from die cast aluminum.
  - CSA listed for wet locations.
- See page 2 for ordering information  
 - See arm specification sheet for arm styles  
 - See mounting specification sheet for mounting components

### TECHNICAL INFORMATION



# Xpressives Series Medium and Large Deep Dome

## ORDERING INFORMATION

Catalog Number: Example: X3DSW3A150PGRGYW1P

Series	Style	Ballast	Mounting	Wattage	Source	Texture	Color	Texture	Color	Color Combo	Voltage	Options
<b>X</b> = Xpressives	<b>2D</b> = Deep Dome (Medium)	<b>R</b> = Remote	<b>W1A</b> <b>W1B</b> <b>W1C</b> <b>W1E</b>	<b>050</b> <b>070</b> <b>100</b> <b>150</b>	<b>P</b> - Electronic Pulse Start Metal Halide*	<b>W</b> - Wrinkle	<b>G</b> - Green	<b>W</b> - Wrinkle	<b>G</b> - Green	<b>Q</b> - Combo SCPM	<b>1</b> - 120	<b>G</b> - Vaportite Globe
	<b>3D</b> = Deep Dome (Large)	<b>S</b> = Surface	<b>W3A</b> <b>W3B</b> <b>W3C</b> <b>W3D</b> <b>W3E</b>	<b>050</b> <b>070</b> <b>100</b> <b>150</b> <b>175</b>	<b>M</b> - Magnetic Pulse Start Metal Halide* *Remote only	<b>W</b> - White	<b>B</b> - Black	<b>W</b> - White	<b>B</b> - Black	<b>T</b> - Combo S-CPM	<b>8</b> - 120-277	<b>P</b> - Photo Control
			<b>SWF</b> <b>SWG</b>	<b>075</b> <b>100</b> <b>200</b> <b>300</b> <sup>3</sup>	<b>I</b> - Incandescent (use with 6" plat only)	<b>F</b> - Flat	<b>B</b> - Black	<b>F</b> - Flat	<b>B</b> - Black	<b>U</b> - Combo SC-PM		<b>T</b> - Thru- Wiring
			<b>C11</b> <b>C12</b> <b>C13</b> <b>C14</b> <b>C31</b> <b>C32</b> <b>C33</b> <b>C34</b>	<b>026</b> <b>032</b> <b>042</b> <b>060</b> <sup>3</sup> <b>085</b> <sup>3</sup>	<b>H</b> - Electronic Compact Fluorescent (not for use w/ any cord mounting units)	<b>G</b> - High Gloss	<b>G</b> - Green	<b>G</b> - High Gloss	<b>G</b> - Green	<b>V</b> - Combo SCP-M		<b>B</b> - G & T options combined
			<b>SC5</b> <b>SC0</b> <sup>1</sup> <b>SC5</b> <b>SC0</b> <sup>1</sup> <b>CC5</b> <b>CW5</b>		(60w and 85w compact fluorescent requires remote ballast)	<b>M</b> - Metallic	<b>C</b> - Copper	<b>M</b> - Metallic	<b>C</b> - Copper	<b>W</b> - Combo SP-CM		<b>C</b> - G & P options combined
			<b>PF1</b> <b>PF2</b> <b>PF3</b> <b>PF4</b> <b>PF5</b>			<b>S</b> - Silver	<b>G</b> - Galvanite	<b>S</b> - Silver	<b>G</b> - Galvanite	<b>X</b> - Combo SPM-C		<b>D</b> - T & P options combined
			<b>PG1</b> <b>PG2</b> <b>PG3</b> <b>PG4</b> <b>PG5</b>			<b>Y</b> - Yellow	<b>U</b> - Blue	<b>Y</b> - Yellow	<b>U</b> - Blue	<b>Y</b> - Combo SM-CP		<b>E</b> - G & T & P options combined
						<b>R</b> - Red	<b>R</b> - Red	<b>R</b> - Red	<b>R</b> - Red	<b>Z</b> - Combo SMC-P		
						<b>T</b> - Textured	<b>S</b> - Silver	<b>T</b> - Textured	<b>S</b> - Silver	<b>Cord</b> <b>Q</b> - Combo SCM		
										<b>T</b> - Combo S-CM		
										<b>U</b> - Combo SC-M		
										<b>Y</b> - Combo SM-C		

<sup>1</sup> Not available with electronic HID

<sup>2</sup> Available in Medium sizes only

<sup>3</sup> Available in Large sizes only

<sup>4</sup> Medium sizes equipped with open-rated sockets regardless of use of VT Globe. Large sizes equipped with open-rated socket only when VT Globe is not specified.

(Note: "T" only with the ballast box and not for use with INC fixtures)

Medium shades have 100w max for INC and large shades have 200w max for INC. Also, 42w CFL cannot use globe.

### Combo Key

- S**- Shade
- C**- Cap
- P**- Pipe
- M**- Mounting

## MOUNTING DEFINITIONS

**W1A** = Wall 1/2" Stem Style GNW1A<sup>2</sup>  
**W1B** = Wall 1/2" Stem Style GNW1B<sup>2</sup>  
**W1C** = Wall 1/2" Stem Style GNW1C<sup>2</sup>  
**W1E** = Wall 1/2" Stem Style GNW1E<sup>2</sup>

**W3A** = Wall 3/4" Stem Style GNW3A  
**W3B** = Wall 3/4" Stem Style GNW3B  
**W3C** = Wall 3/4" Stem Style GNW3C  
**W3D** = Wall 3/4" Stem Style GNW3D  
**W3E** = Wall 3/4" Stem Style GNW3E

**SWF** = 3/4" Stem Adapter w/ GNP3F  
**SWG** = 3/4" Stem Adapter w/ GNP3G

**C11** = Ceiling 1/2" 1 ft Stem Style GNC11<sup>2</sup>  
**C12** = Ceiling 1/2" 2 ft Stem Style GNC12<sup>2</sup>  
**C13** = Ceiling 1/2" 3 ft Stem Style GNC13<sup>2</sup>  
**C14** = Ceiling 1/2" 4 ft Stem Style GNC14<sup>2</sup>

**C31** = Ceiling 3/4" 1 ft Stem Style GNC31  
**C32** = Ceiling 3/4" 2 ft Stem Style GNC32  
**C33** = Ceiling 3/4" 3 ft Stem Style GNC33  
**C34** = Ceiling 3/4" 4 ft Stem Style GNC34

**SC5** = Straight Cord 5 ft  
**SC0** = Straight Cord 10 ft<sup>1</sup>  
**SA5** = Straight Cord w/ aircraft 5 ft  
**SA0** = Straight Cord w/ aircraft 10 ft<sup>1</sup>  
**CC5** = Coil + Cord 5 ft  
**CW5** = Cord Wet Location 5 ft

**PF1** = Post Top Pole (1 FIXT w/ GNP3F)  
**PF2** = Post Top Pole (2 @ 90 w/ GNP3F)  
**PF3** = Post Top Pole (3 @ 90 w/ GNP3F)  
**PF4** = Post Top Pole (4 @ 90 w/ GNP3F)  
**PF5** = Post Top Pole (2 @ 180 w/ GNP3F)

**PG1** = Post Top Pole (1 FIXT w/ GNP3G)  
**PG2** = Post Top Pole (2 @ 90 w/ GNP3G)  
**PG3** = Post Top Pole (3 @ 90 w/ GNP3G)  
**PG4** = Post Top Pole (4 @ 90 w/ GNP3G)  
**PG5** = Post Top Pole (2 @ 180 w/ GNP3G)

# Xpressives Series Medium and Large Deep Dome

## ACCESSORIES

### Trim Rings



**TR2XX** for use with medium shades

**TR3XX** for use with large shades

Note: Available in all color/texture combinations

### Wire Guards



**GUARD16XX** Medium Wire Guard

**GUARD20XX** Large Wire Guard

Note: Available in all color/texture combinations

### Cast Guards



Guard only. Available only with "G" option

**V131XX** 3-1/2" twist on/off cast aluminum guard

**V132XX** 4-3/8" twist on/off cast aluminum guard

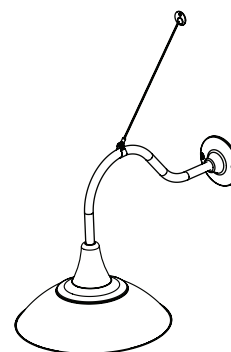
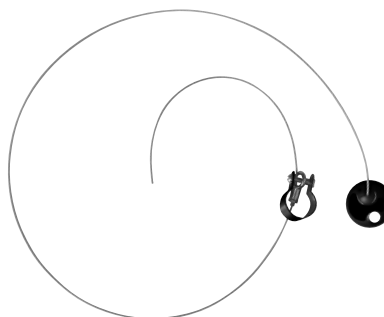
Note: Available in all color/texture combinations

### Fusing

**FS** Consult factory for availability

Note: Fusing can only be used in surface mounting

### Aircraft Cable Support



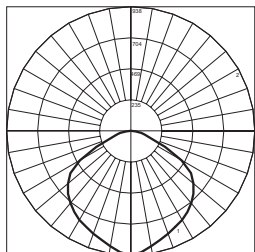
**ACS1XX** 1/2" Aircraft Cable Support

**ACS3XX** 3/4" Aircraft Cable Support

Note: Brackets available in all color/texture combinations

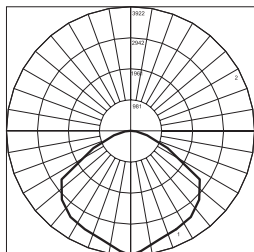
# Xpressives Series Medium and Large Deep Dome

## PHOTOMETRIC DATA



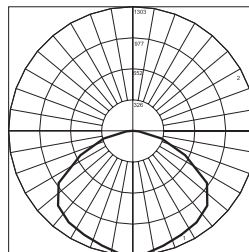
**KALEIDOSHADE 2  
MEDIUM DEEP DOME REFLECTOR  
PHILIPS 150 WATT A-21 INC LAMP  
IES Test # K2D150IG**

Total Rated Lamp Lumens	2850
Total Luminaire Efficiency	92 %
CIE Type	Direct
Spacing Criteria (0-180)	1.26
Spacing Criteria (90-270)	1.26
Spacing Criteria (Diagonal)	1.44
Basic Luminous Shape	Circular w/ Sides
Luminous Length (0-180)	0.00 ft
Luminous Width (90-270)	1.30 ft (Diameter)
Luminous Height	0.83 ft



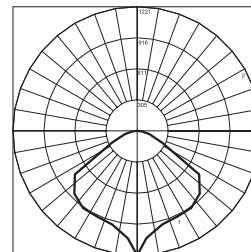
**KALEIDOSHADE 2  
MEDIUM DEEP DOME REFLECTOR  
PHILIPS 150 WATT A-21 INC LAMP  
IES Test # K2D175MCG**

Total Rated Lamp Lumens	2850
Total Luminaire Efficiency	92 %
CIE Type	Direct
Spacing Criteria (0-180)	1.26
Spacing Criteria (90-270)	1.26
Spacing Criteria (Diagonal)	1.44
Basic Luminous Shape	Circular w/ Sides
Luminous Length (0-180)	0.00 ft
Luminous Width (90-270)	1.30 ft (Diameter)
Luminous Height	0.83 ft



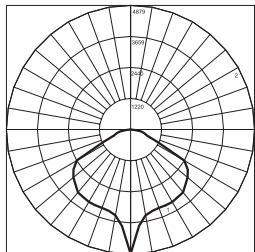
**KALEIDOSHADE 2  
LARGE DEEP DOME REFLECTOR  
PHILIPS PL-H 85 WATT CF LAMP  
IES Test # K3D85HFG**

Total Rated Lamp Lumens	6000
Total Luminaire Efficiency	74.8 %
CIE Type	Direct
Spacing Criteria (0-180)	1.40
Spacing Criteria (90-270)	1.40
Spacing Criteria (Diagonal)	1.58
Basic Luminous Shape	Vertical Rectangle
Luminous Length (0-180)	0.00 ft
Luminous Width (90-270)	1.66 ft
Luminous Height	1.08 ft



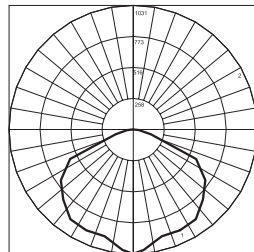
**KALEIDOSHADE 2  
LARGE DEEP DOME REFLECTOR  
PHILIPS 200 WATT PS-30 INC COATED LAMP  
IES Test # K3D200IG**

Total Rated Lamp Lumens	3710
Total Luminaire Efficiency	85.8 %
CIE Type	Direct
Spacing Criteria (0-180)	1.14
Spacing Criteria (90-270)	1.14
Spacing Criteria (Diagonal)	1.44
Basic Luminous Shape	Vertical Rectangle
Luminous Length (0-180)	0.00 ft
Luminous Width (90-270)	1.33 ft
Luminous Height	0.83 ft



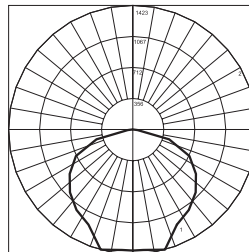
**KALEIDOSHADE 2  
MEDIUM DEEP DOME REFLECTOR  
VENTURE MH175U/MED ED-17 CLEAR LAMP  
IES Test # K2D175MG**

Total Rated Lamp Lumens	15000
Total Luminaire Efficiency	78.8 %
CIE Type	Direct
Spacing Criteria (0-180)	0.94
Spacing Criteria (90-270)	0.94
Spacing Criteria (Diagonal)	1.32
Basic Luminous Shape	Circular w/ Sides
Luminous Length (0-180)	0.00 ft
Luminous Width (90-270)	1.30 ft (Diameter)
Luminous Height	0.83 ft



**KALEIDOSHADE 2  
MEDIUM DEEP DOME REFLECTOR  
PHILIPS 200 WATT INC PS 30 LAMP  
IES Test # K2D200IG**

Total Rated Lamp Lumens	3710
Total Luminaire Efficiency	92.4 %
CIE Type	Direct
Spacing Criteria (0-180)	1.36
Spacing Criteria (90-270)	1.36
Spacing Criteria (Diagonal)	1.52
Basic Luminous Shape	Circular w/ Sides
Luminous Length (0-180)	0.00 ft
Luminous Width (90-270)	1.30 ft (Diameter)
Luminous Height	0.83 ft



**KALEIDOSHADE 2  
LARGE DEEP DOME REFLECTOR  
PHILIPS 300 WATT INC COATED PS-35 LAMP  
IES Test # K3B300IG**

Total Rated Lamp Lumens	5150
Total Luminaire Efficiency	89.6 %
CIE Type	Direct
Spacing Criteria (0-180)	1.28
Spacing Criteria (90-270)	1.28
Spacing Criteria (Diagonal)	1.46
Basic Luminous Shape	Vertical Rectangle
Luminous Length (0-180)	0.00 ft
Luminous Width (90-270)	1.66 ft
Luminous Height	1.08 ft