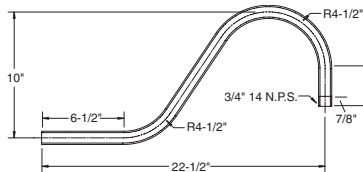


# Xpressives Series Arm Styles (1/2" and 3/4" Pipe)

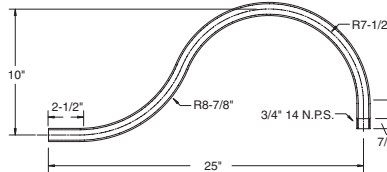
- Available in 1/2" or 3/4" schedule 40 aluminum pipe.
- Wall mount arms have NPS thread on cap end; set screw on plate end; ceiling mount arms have NPS thread on cap and mounting plate ends.

- Arms include four 1/2" and 3/4" gooseneck shapes, three 3/4" shapes (1 gooseneck and 2 post-type) and stem mounting up to 4'.
- Wiring Wizard wire feeding system.

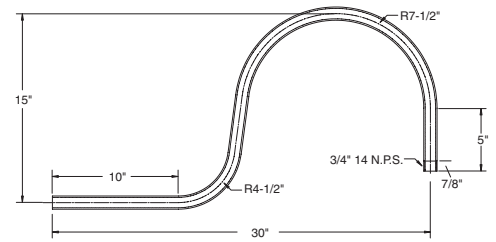
## Wall Mount Arm Styles



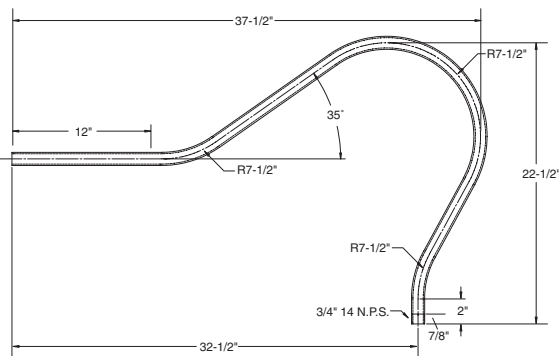
**W1A** = 1/2"  
**W3A** = 3/4"



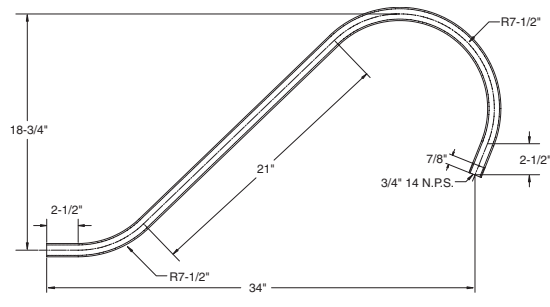
**W1B** = 1/2"  
**W3B** = 3/4"



**W1C** = 1/2"  
**W3C** = 3/4"

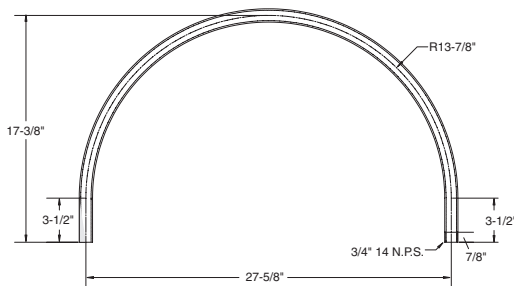


**W3D** = 3/4"

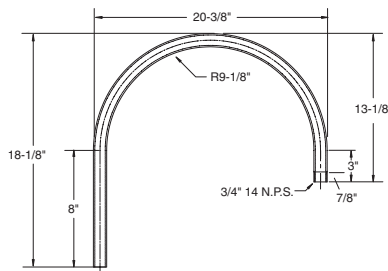


**W1E** = 1/2"  
**W3E** = 3/4"

## Post-Top Arm Styles

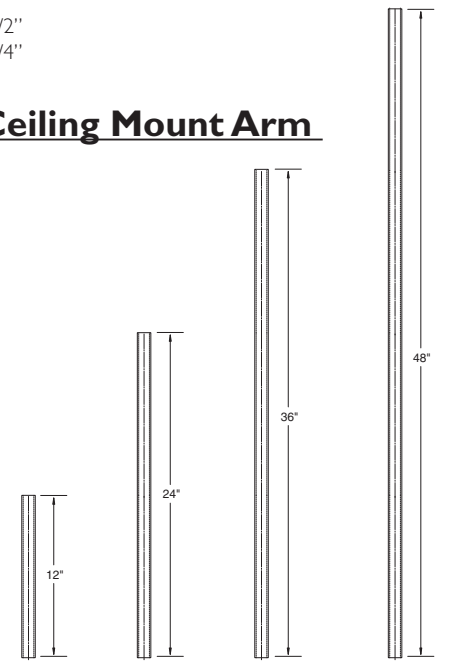


**W1F** = 1/2"  
**W3F** = 3/4"



**W1G** = 1/2"  
**W3G** = 3/4"

## Ceiling Mount Arm



**C11** = 1/2"   **C12** = 1/2"   **C13** = 1/2"   **C14** = 1/2"  
**C31** = 3/4"   **C32** = 3/4"   **C33** = 3/4"   **C34** = 3/4"

**Note:** When specifying "G" option, aircraft cable support is required