

Xpressives Series 4-Foot Linear Fluorescent (T5, T5HO, T8 and T12HO)



- Ideal for sign lighting, exterior building illumination, accenting, indoor commercial illumination, retail, restaurant/food, entertainment industry and any location requiring architectural luminaires.
- Housing is constructed of an anodized aluminum extrusion with precision die-cast, aluminum end caps. Adjustable using a 360° rotatable die cast aluminum mounting assembly.
- Corrosion-resistant Duraplex II polyester powder-coated finish with optional designer finishes available.
- Standard fixtures supplied with one ballast.
- Internal electronic high-frequency ballast
- with voltage sensing capability in T5, T8 and T5HO lamping.
- T12HO fixture available with magnetic remote weather-proof ballast only.
- Lamping arrangements include 1 or 2 lamps on T5, T8 and T5HO and 1 lamp with T12HO.
- Optics include a highly specular, medium hammertone reflector.
- Clear acrylic lens available with "E" option.
- CSA listed for dry locations standard.
- CSA listed for wet locations when used with E option.

ORDERING INFORMATION

Catalog Number: Example: X1AGW254S2YGRW1E

Series	Shape	Reflector	Texture	Color	Lamp # (cross section)	Lamp Wattage	Ballast	Texture	Color	Color Combination	Voltage	Options
<input type="checkbox"/>	<input type="checkbox"/>	<input type="checkbox"/>	<input type="checkbox"/>	<input type="checkbox"/>	<input type="checkbox"/>	<input type="checkbox"/>	<input type="checkbox"/>	<input type="checkbox"/>	<input type="checkbox"/>	<input type="checkbox"/>	<input type="checkbox"/>	<input type="checkbox"/>
X = Xpressives Linear Fluorescent	1	A = Asymmetric	W = Wrinkle	G = Green B = Black W = White P = Bronze	1 2 (T5/T8/ T5HO)	32 = 4'T8	T8 K1Y K2Y	W = Wrinkle	G = Green B = Black W = White P = Bronze	Q = Combo HEBC T = Combo H-EBC U = Combo HE-BC V = Combo HEB-C W = Combo HB-EC X = Combo HBC-E Y = Combo HC-EB Z = Combo HEC-B	1 = 120V 7 = 277V B = 120-277 5 = 480V	E = Enclosed R = Remote ballast* M = Emergency (remote only) Dimming (consult factory) NOTE: Enclosed fixtures are listed
			F = Flat	B = Black P = Bronze		54 = 4'T5HO	T5HO S1Y S2Y	F = Flat	B = Black P = Bronze			
			G = High Gloss	G = Green B = Black W = White Y = Yellow U = Blue R = Red		28 = 4' T5	T5 N1Y N2Y	G = High Gloss	G = Green B = Black W = White Y = Yellow U = Blue R = Red			
			M = Metallic	C = Copper S = Silver G = Galvanite		60 = 4' T12HO	T12HO B1Y	M = Metallic	C = Copper S = Silver G = Galvanite			
			T = Textured	S = Silver		T12 units only available with a remote ballast; all others can utilize either remote or integral ballast (see options)		T = Textured	S = Silver			
			N = Natural*	U = Unfinished C = Clear Coat				N = Natural*	U = Unfinished C = Clear Coat			

Notes:

- Standard fixtures supplied with one ballast
- Consult factory for multiple ballast options



Listed for dry locations
Listed for wet locations with "E" option

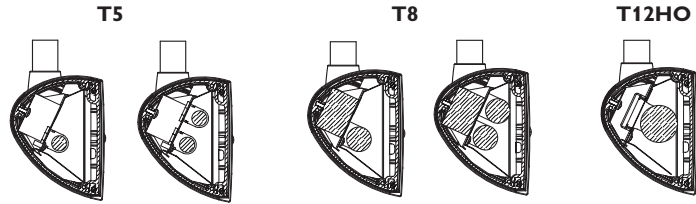
* Consult factory for remote ballast numbers

Xpressives Series 4-Foot Linear Fluorescent

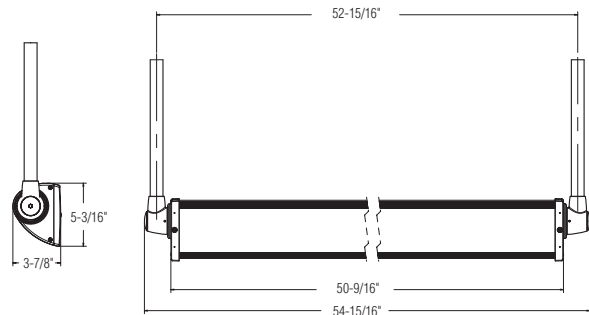
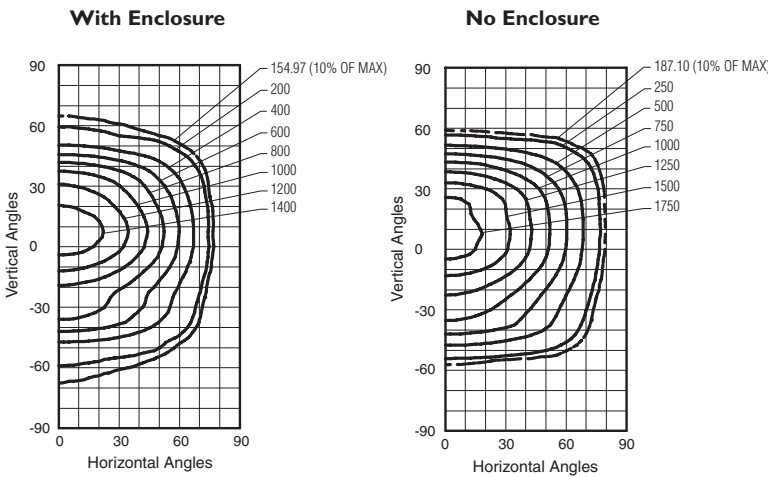
BALLAST MATRIX

- K1Y** – T8 single-lamp ballast
- K2Y** – T8 two-lamp ballast
- S1Y** – T5HO single-lamp ballast
- S2Y** – T5HO two-lamp ballast
- N1Y** – T5 single-lamp ballast
- N2Y** – T5 two-lamp ballast
- B1Y** – T12HO single-lamp ballast

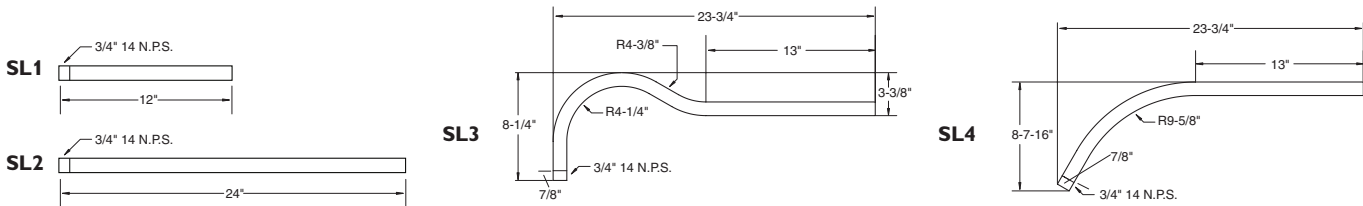
DIMENSIONAL DATA



PHOTOMETRIC DATA

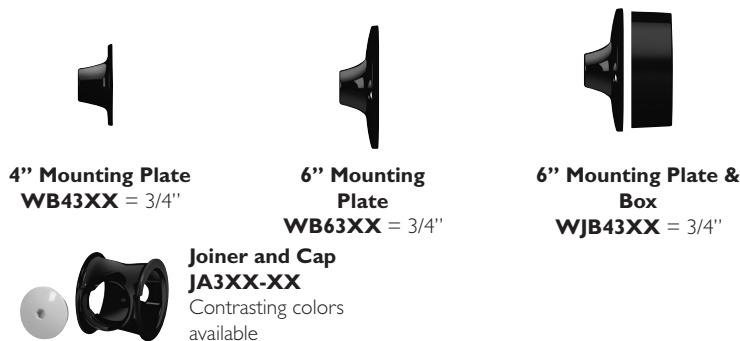


ARM STYLES



Note: Arm styles SL2, SL3 and SL4 require aircraft cable support (included)

MOUNTING COMPONENTS



MOUNTING ACCESSORY

