

CATALOG NO. \_\_\_\_\_



TYPE NO. \_\_\_\_\_

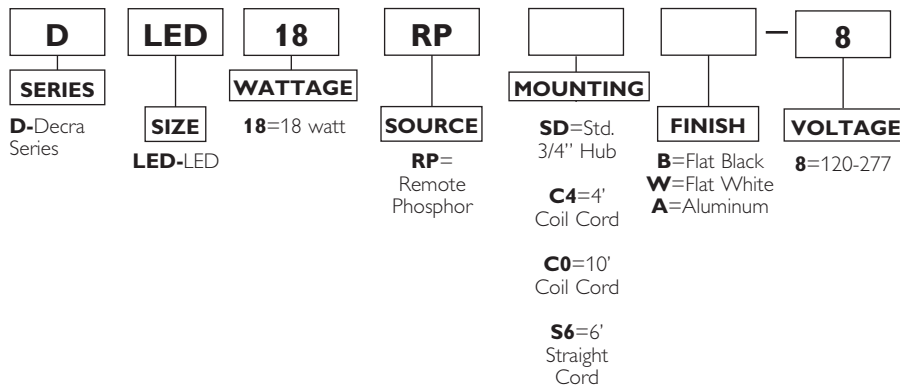
JOB NAME \_\_\_\_\_

# Decra Series LED Architectural Highbay

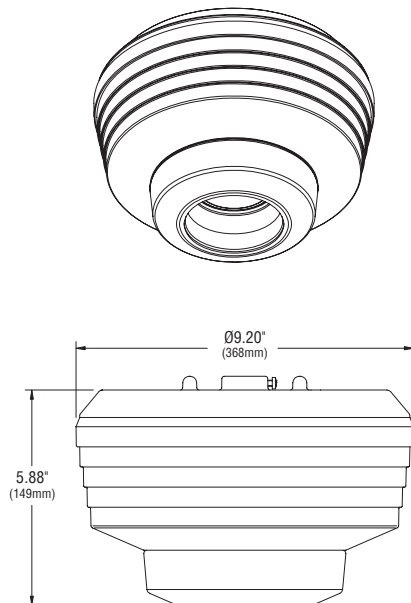


## ORDERING INFORMATION

Catalog Number: Example: DLED18RPDW-8



## TECHNICAL INFORMATION



## PRODUCT SPECIFICATIONS

- The Decra LED is designed around Philips LED remote phosphor technology. This remote phosphor technology is paired with one of the most efficient LED drivers on the market, providing 62 lm/w with a high light output of 1,100 lm using only 18w of energy.
- The compact LED is ideal for applications that include offices, public buildings, high-end boutiques and shops, supermarkets, retail and big box stores.
- Construction includes a die cast aluminum ballast housing with a standard finish Duraplex II™ aluminum electrostatic powder coat. Optional colors available.
- 70% lumen maintenance after 50,000 hours.
- 1100 lumen, 4000K, 80 CRI design uses 18W.
- Mercury and lead free design and ROHS compliant electronics.
- Miniature specular reflector provides 55° cutoff, low glare, uniform color and no hot spots.
- Our technology provides a cool beam of light with no ultra-violet (UV) or infrared (IR) which eliminates any heating of the illuminated products as well as elimination of fading due to UV exposure.
- High-quality LED light is achieved by mixing blue LED's and using a cutting edge phosphor technology to give you high quality white light and color consistency.
- Mounting choices include 1/2" NPS pendant stem, decorative hook with cord, aircraft cable with coiled or straight cord.
- Comes with 3 year limited warranty.
- CSA Approved for damp locations.